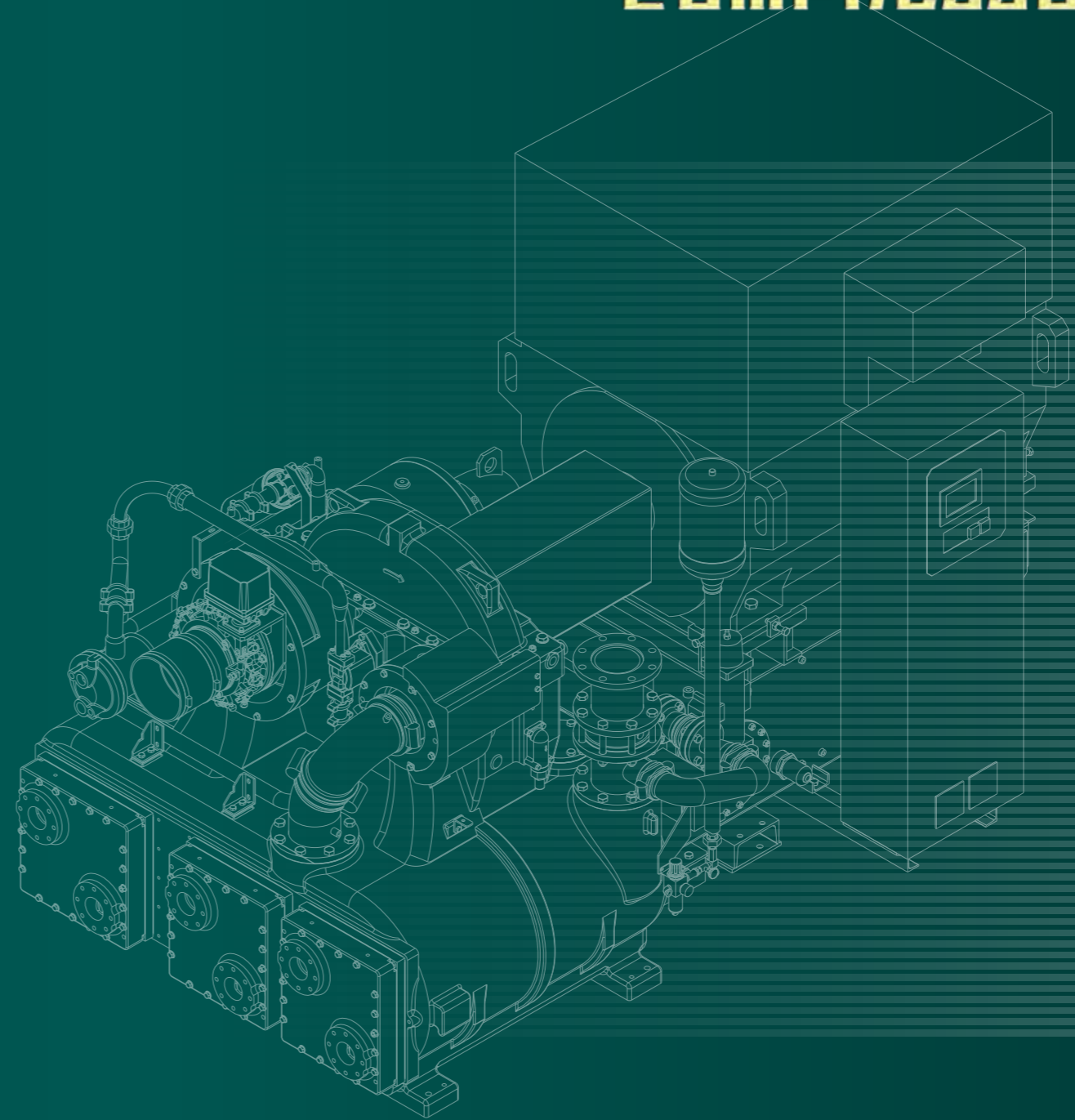


IHI

Realize your dreams

OIL-FREE TURBO COMPRESSORS



Safety Precautions For your safety, be sure to read the user's manual before using.

- Information contained in this catalog is that as of October, 2017.
- Note that specifications, dimensions and appearance contained in the catalog may be changed without notice for improvement.
- Note that the color tone of the product on the catalog may appear different from that of the actual product for reasons attributable to printing.
- Note that the addresses may be changed.
- TRA, TRE and TRX are trademark of IHI Corporation.

IHI Rotating Machinery Engineering Co.,Ltd.

Sales Department
Industrial Compressor Business Unit

7-12, Shinonome 1-chome, Koto-ku, Tokyo 135-0062 Japan
Tel : +81-3-6703-0395 Fax : +81-3-6703-0398
Website : <http://www.ihi.co.jp/compressor/en/>

1610-2000.GR Printed in Japan

IHI Rotating Machinery Engineering Co.,Ltd.

Your Best Choice, IHI Turbo Compressors.

IHI, making turbo compressor history

The history of IHI turbo compressors starts with a licence agreement in 1970. Since then, IHI has accumulated continuous technological innovation and built its own technologies, developing the whole product line-up from original designs. Further, in 1994, IHI succeeded in developing the world's smallest class of turbo compressor, the Tx series. In addition to strengthening the market value of compact turbo compressors, this product also enhanced the IHI product line-up. High performance and product quality can be seen in IHI's rich experience and proven track record. Our development concept is "Always looking ahead from a user perspective", and we are always trying to find benefit for our customers. There are over 7,000 IHI turbo compressors at work throughout the world today. IHI is continuing to make turbo compressor history.

Energy-saving

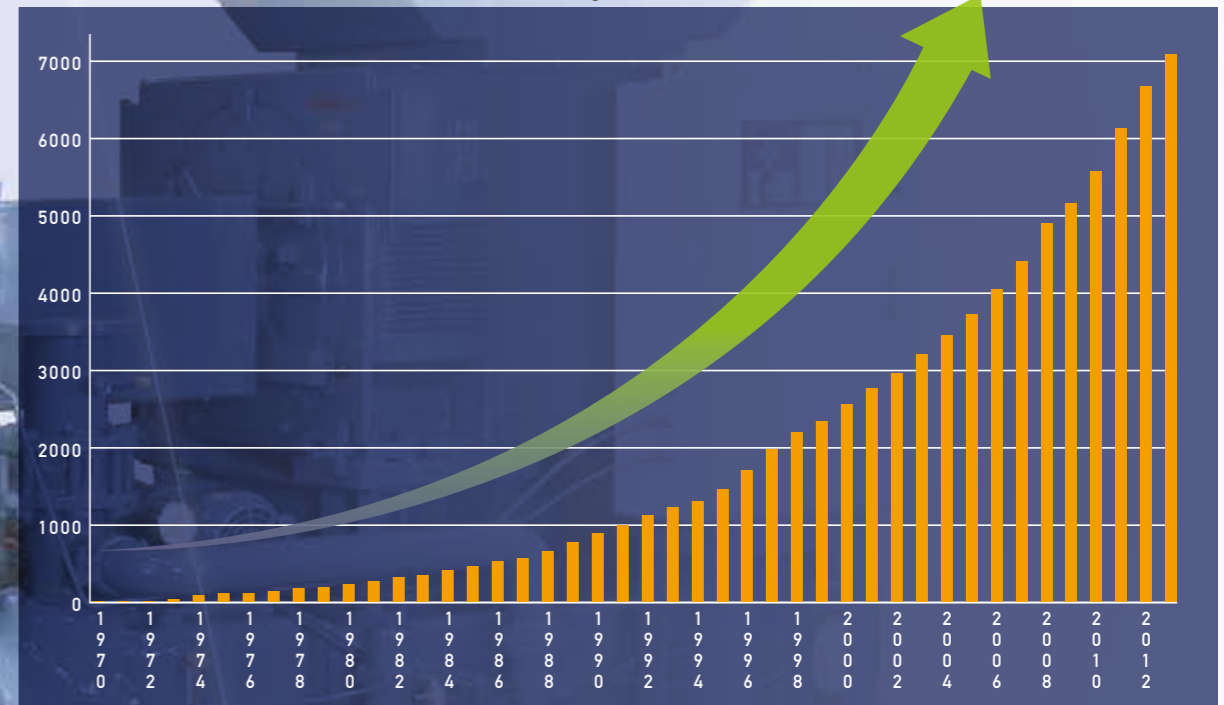
World class efficiency achieved by utilizing our advanced rotating machinery technology. IHI turbo compressors bring high level energy saving to production operations, meeting today's stringent energy saving needs.

User Customization

In the manufacturing workplace, compressed air needs are constantly changing. IHI matches optimal design to your production operation, in order to offer you the best choices.



Total numbers of IHI Turbo Compressors delivered



100% Oil-Free Air



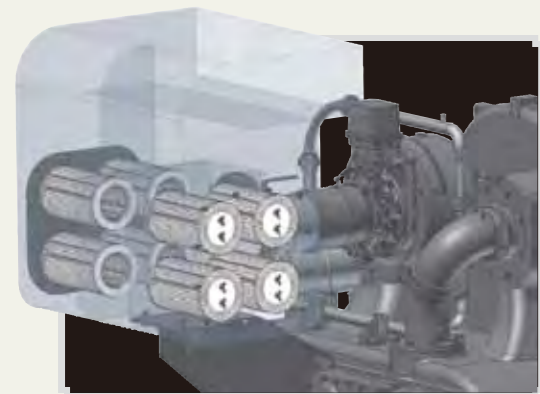
IHI turbo compressors have passed the latest ISO8573-1 Class 0 oil free certification, which is the highest grade for compressed air's oil free quality, by an independent third-party test house TÜV in Germany.



Easy Maintenance

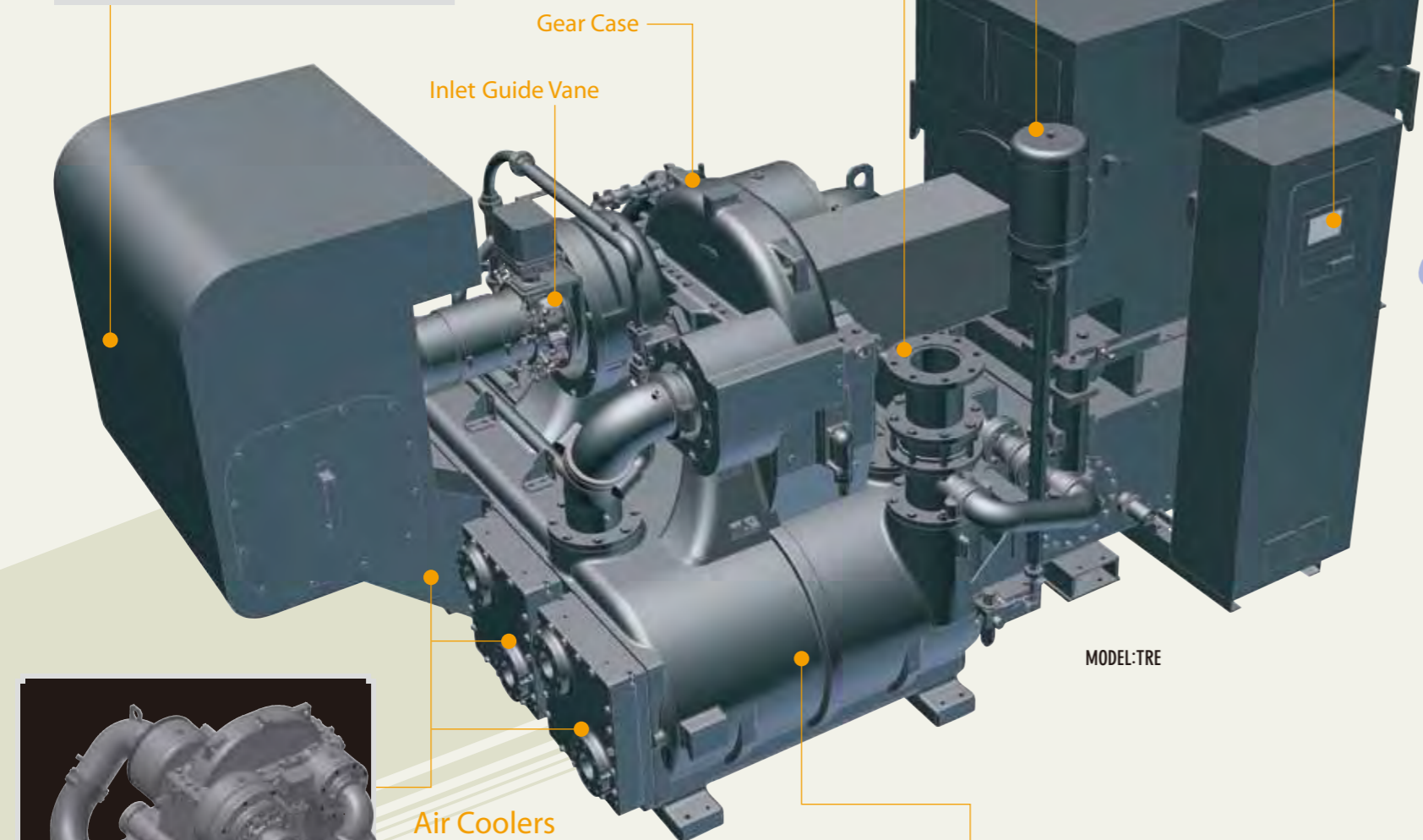
IHI turbo compressors have a simple and robust design, in order to reduce maintenance costs. We have worked hard to simplify day to day maintenance procedures so that our products can provide a stable supply of compressed air throughout the year, with minimal maintenance.

IHI Turbo Features



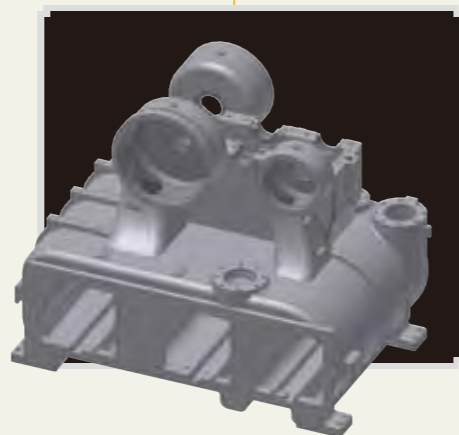
Suction Filter

The suction filter uses a cartridge type element, making it very easy to maintain.



Compressor Frame (one-piece gear case and air coolers)

The gear case and air coolers are cast together in a single, robust and compact construction. The compressor unit and air paths are surrounded by a thick, seamless wall that is also highly effective in cutting noise.



[New] Microprocessor Control Panel

*Except for Tx-M Model



Operating Conditions

For ease of daily monitoring, key measurements, data and operating conditions can be checked via the control panel's easy-to-read graphics.

Trend Graph

The control panel provides a graphical interface that allows operators monitor key trends (discharge air pressure, motor current and shaft vibration), helping them to keep on top of operational conditions and plan maintenance routines.

Recall Data

Measurement data can be recorded in the memory for each of the last five of both serious and minor shutdowns, along with the time of shutdown, and can be used for the rapid investigation of the shutdown cause.

Causes & Countermeasures

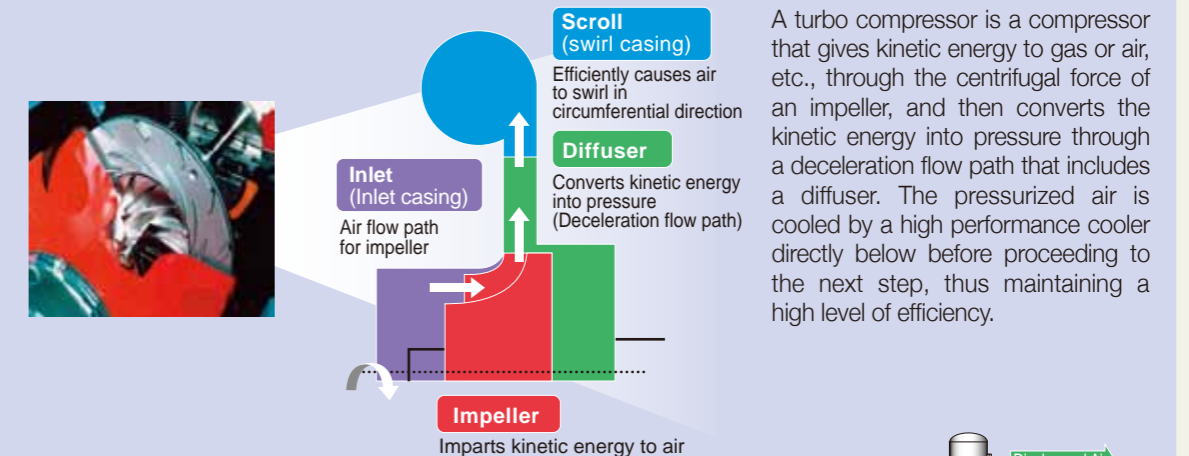
In the event of a failure, causes and possible countermeasures can be checked onscreen, providing operators with clear guidance.

Data Communication

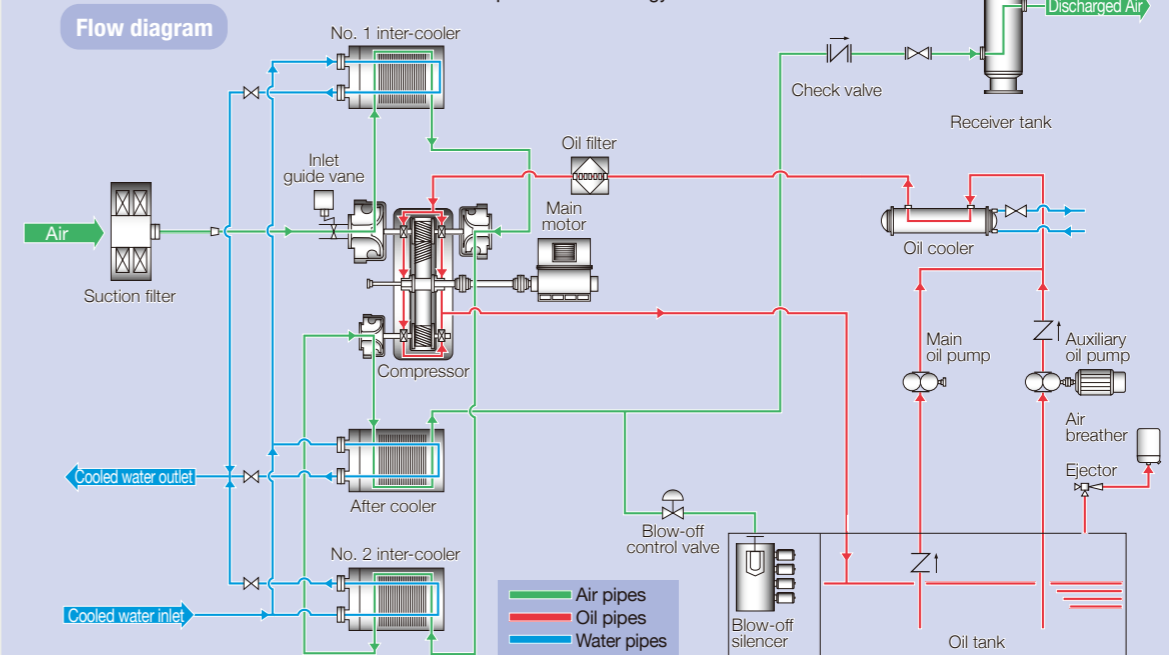
It makes easier to check the operation condition by support of MODBUS® RTU.

※MODBUS® is registered trademark of Schneider Automation Inc.

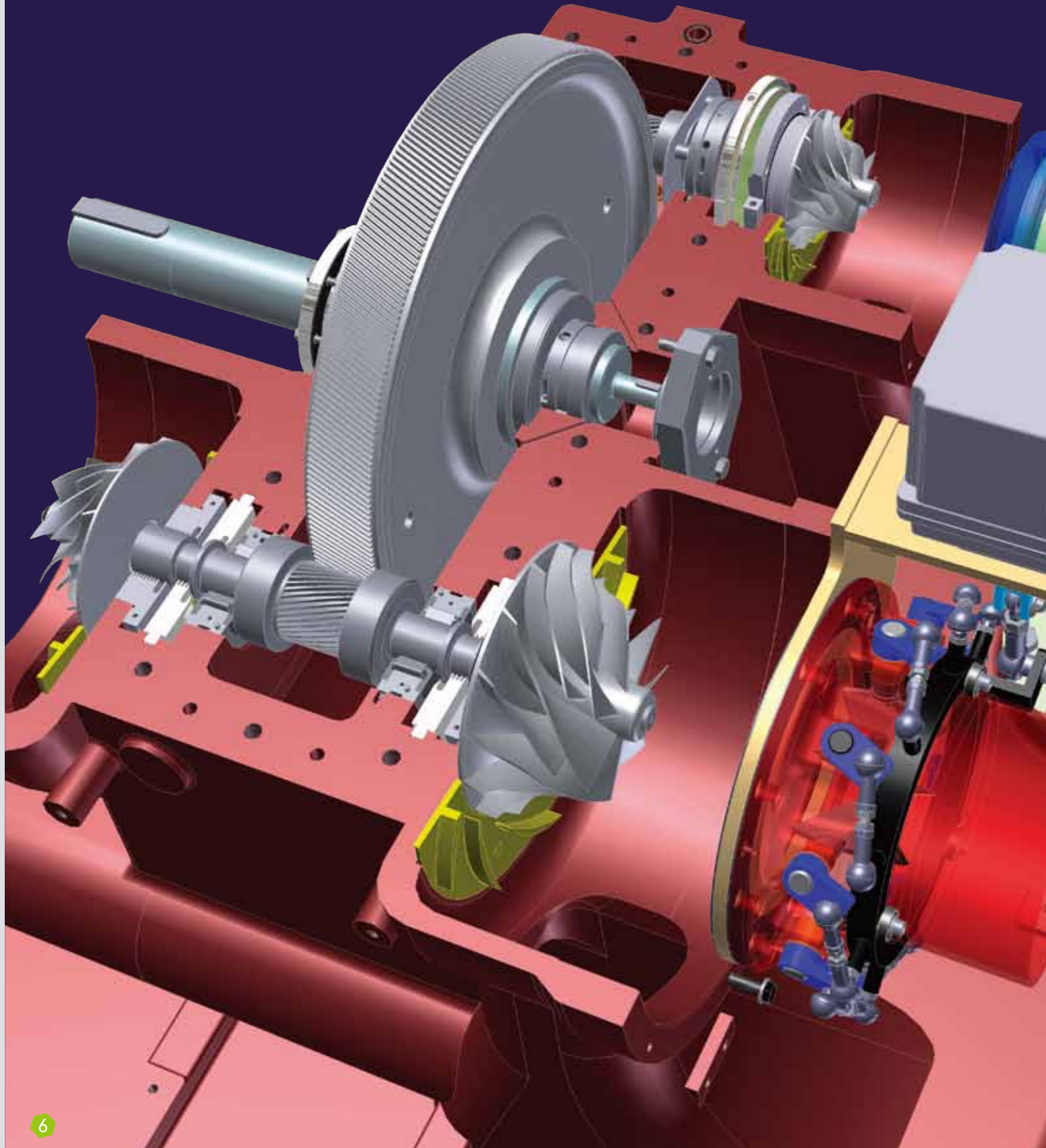
How turbo compressors work



A turbo compressor is a compressor that gives kinetic energy to gas or air, etc., through the centrifugal force of an impeller, and then converts the kinetic energy into pressure through a deceleration flow path that includes a diffuser. The pressurized air is cooled by a high performance cooler directly below before proceeding to the next step, thus maintaining a high level of efficiency.



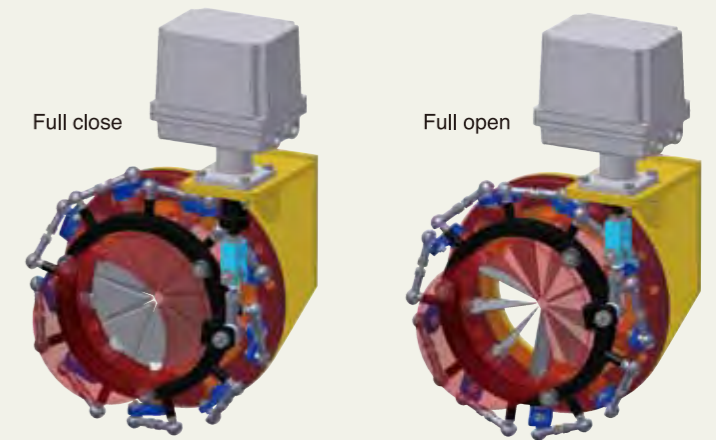
Simple & Reliable



Inlet guide vane (IGV)

With the inlet guide vane (inlet throttle valve), air supply can be controlled in accordance with consumption. Further, the inlet guide vane enhances efficiency by providing preswirl flow to the air taken into the compressor in the same rotative direction as the impeller.

*Except for Tx-M Model



Tilting pad journal bearing

Tilting pad journal bearings, which realize high-speed and stable operation, are adopted. Pad tilt will change in accordance with bearing load changes, which provides excellent compliance with load changes in the compressor.



Impeller

The three dimensional impeller, designed by making the fullest use of IHI's extensive experience and cutting edge CFD technology, enables world top class efficiency and a wide operating range. The use of both titanium and high strength stainless steel means there is no need to worry about wear or corrosion.



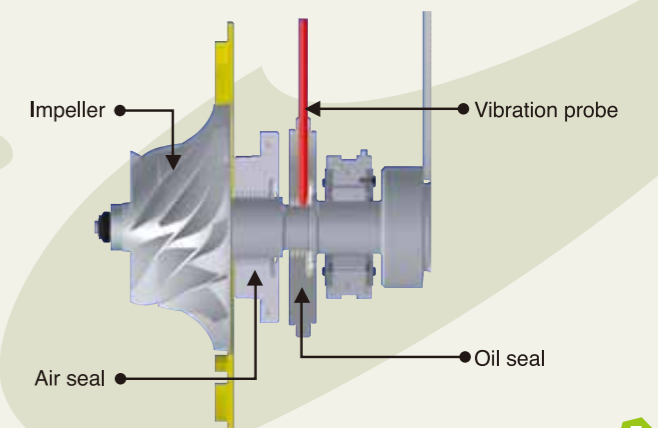
Diffuser

The velocity energy imparted to air by the rotation of the impeller is efficiently converted into pressure energy by the diffuser. Because the impeller and diffuser are analysed together using cutting edge CFD technology, air turbulence is kept to an absolute minimum, and operating noise is extremely low.



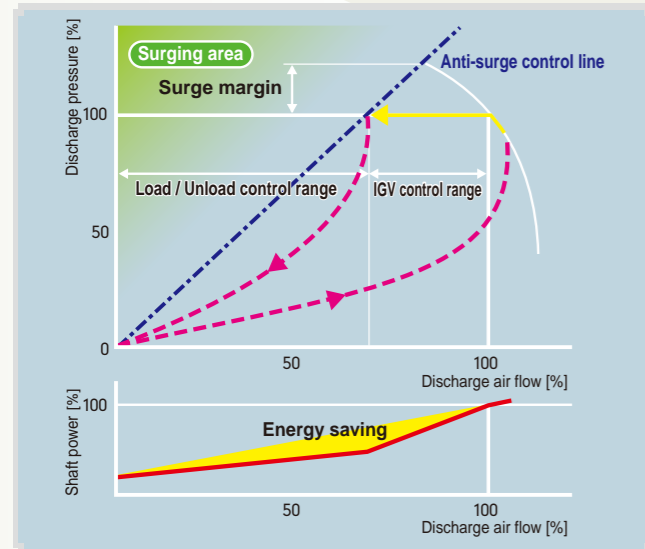
Labyrinth seal

For the air seal and oil seal, the labyrinth type, which has no contact with the shaft, is adopted, so there is no wear resulting from operation and no periodic replacement is required.



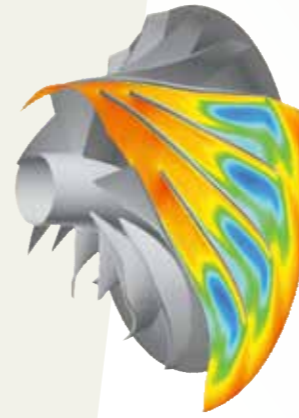
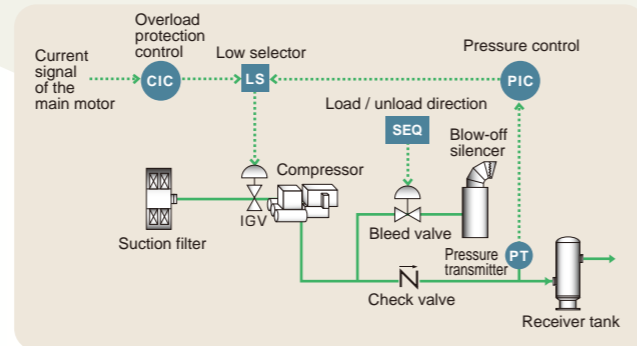
1 Constant pressure + Load/Unload control

A dual control system created by combining advantages of "constant-pressure control" and "load / unload control". Energy saving operation has been realized with efficient compressor control at each operation point.



• **IGV control range (constant-pressure control range)**
Discharge air flow is adjustable by IGV Opening/Closing. IGV is controlled to keep discharge line pressure constant.

• **Load / Unload control range**
When consumption of air flow decreased, compressor turns into Unload operation automatically. And next, when discharge line pressure decreased, compressor comes back to Load operation automatically.



Optimal impeller design

Optimal impeller design, matching the required airflow and pressure, contributes to energy saving.

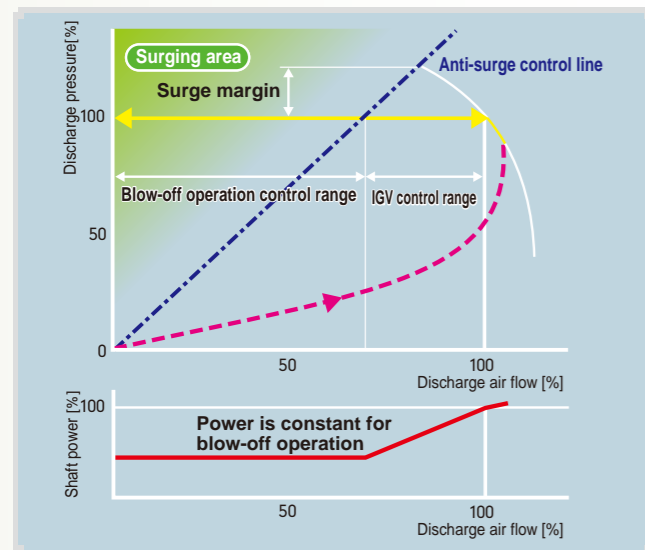


Various options

To meet the needs of individual customers, we offer a variety of options, such as enclosures and Group control panel, etc.

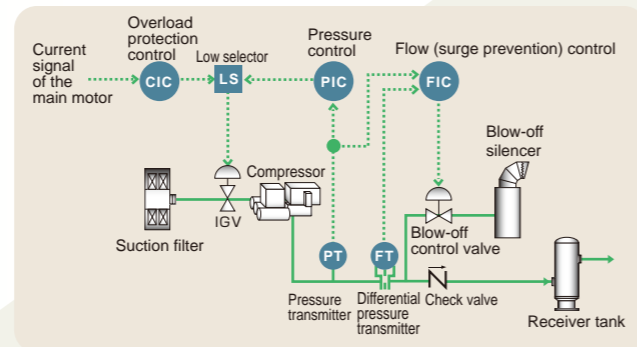
2 Constant pressure + Anti-surge control

Even if consumption of air would change between 0% to 100%, compressor keeps stable condition at a constant pressure.



IGV is controlled according to an amount of plant air consumption. In this case, discharge pressure is kept constant and operation condition of compressor is kept stable too.

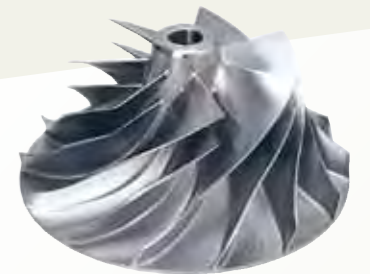
When air consumption become lower than the throttling range of IGV, discharge pressure is kept by controlling of blow off control valve.



Energy-saving

User Customization

Easy Maintenance



Impeller

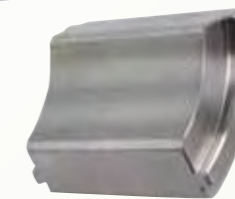
The impeller is made from titanium and stainless steel, which are very resistant to corrosion and wear. Because there is no need for periodic replacement, maintenance costs can be kept low.



Tilting pad journal bearing

Tilting pad journal bearings are used for the bearings of the high speed rotation impeller. Since this is a non-contact bearing, there is no wear, and the life of the part is semi-permanent.

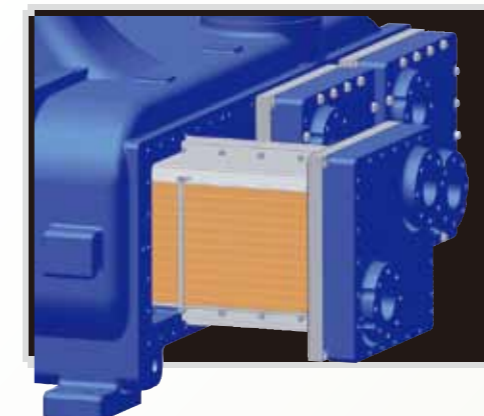
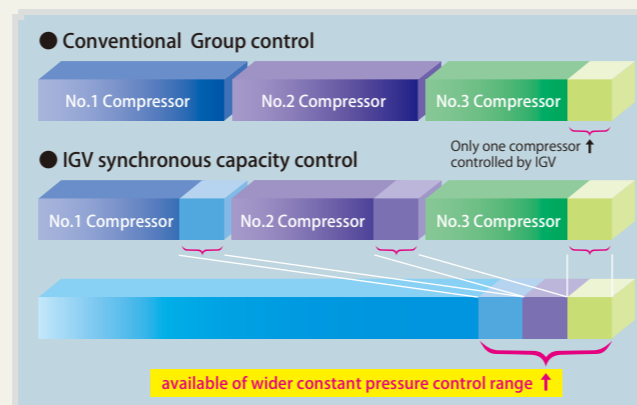
※ Depending on the conditions of usage, the inner pad only may need to be replaced.



3 IGV synchronous capacity control (option)

In case of controlling the capacity of more than one compressor, IHI offers our IGV synchronous capacity control for multiple compressors.

This control realizes the wider constant pressure control range and decrease of unload time for Energy saving by combination of IGV constant pressure control and the Group control panel.



Air coolers (inter coolers, after coolers)

To ensure the stable operation of the compressor, the coolers need to be cleaned periodically. The air coolers mounted on IHI turbo compressors are designed to allow water to flow along the pipes, and their construction makes cleaning very easy.

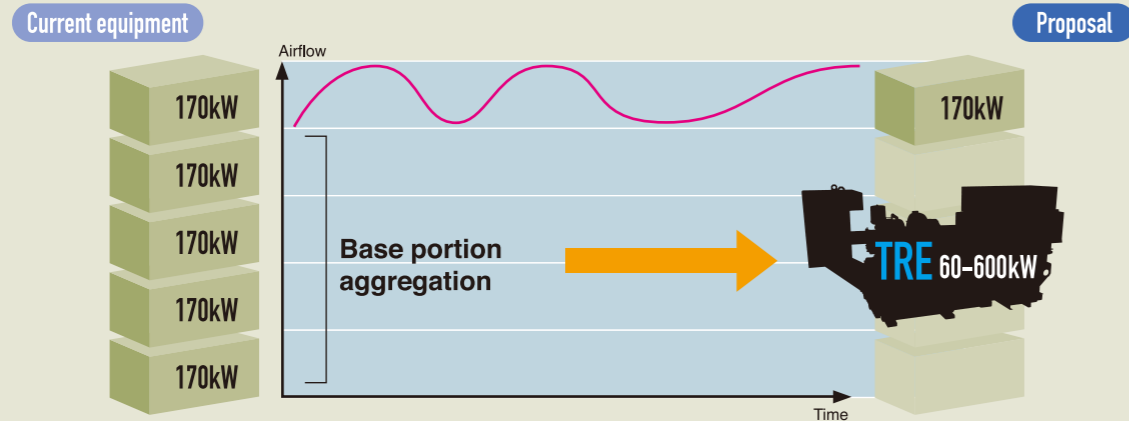
◀ Cooler fin and cooler tubes

Energy-saving

Base load machine selection

1 Aggregation Case where multiple small and medium sized compressors are used with little airflow fluctuation

● E.g. Four 170kW class oil-free compressors replaced with one TRE60-600kW compressor.

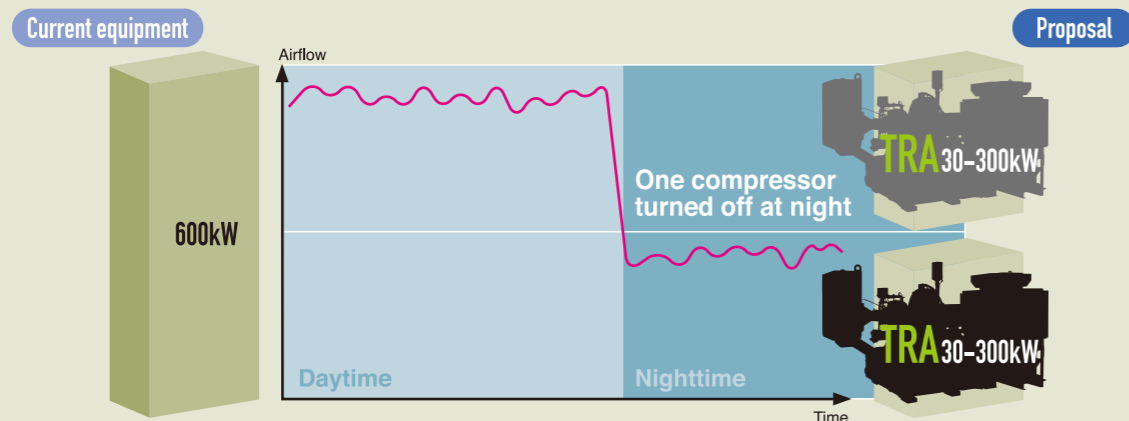


★Energy saving effect : approx. 18%
★CO₂ reduction : 575 tons/ year

※Carbon dioxide emission coefficient : 0.000555tCO₂/kWh

2 Optimization Case where a large compressor is used with large airflow fluctuation

● E.g. 600kW compressor operating at night at 45% load factor to be replaced with two TRA30-300kW compressors



★ Nighttime energy saving effect : approx. 14%
★ Nighttime CO₂ reduction : 107 tons/ year

※Carbon dioxide emission coefficient : 0.000555tCO₂/kWh

Note : assuming average annual operating time of 8,000 hours

Optimal pressure settings

IHI turbo compressors are available in a wide range of variations to match the plant air pressure.

Discharge pressure 0.69 MPaG (red curves in figure at right)

Discharge pressure 0.59 MPaG (green curves in figure at right)

Case studies

Case ① Spec discharge pressure 0.69 MPaG compressor operated at discharge pressure 0.59 MPaG.

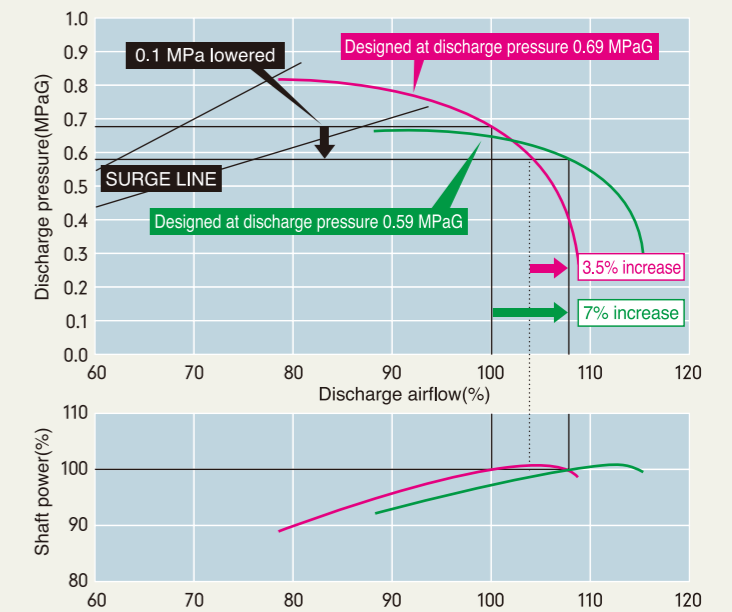
Case ② Spec discharge pressure 0.59 MPaG compressor operated at discharge pressure 0.59 MPaG.

Compared with case ①, case ② has an

airflow increase of approx. 3.5%.

When compared with the same shaft power, the

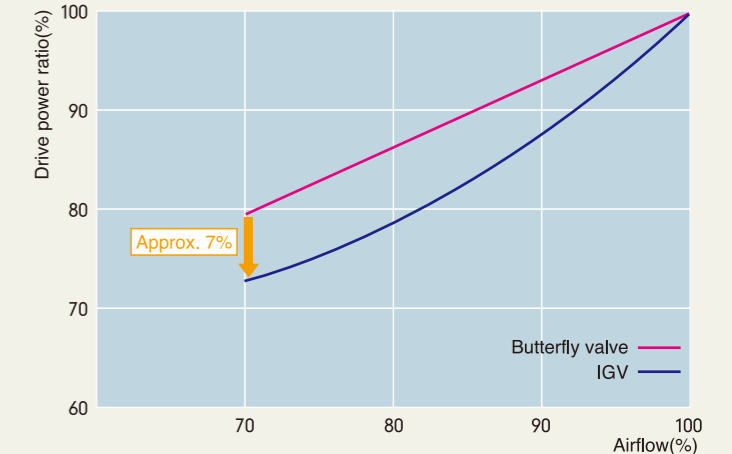
airflow increase is approx. 7%.



Control system selection (IGV energy saving effect)

The compressor's inlet has vanes whose angles can be changed in order to reduce the impeller air intake. This is more effective than using a butterfly valve to add pressure loss in order to reduce airflow, and if the same airflow is discharged, the dynamic power can be kept low.

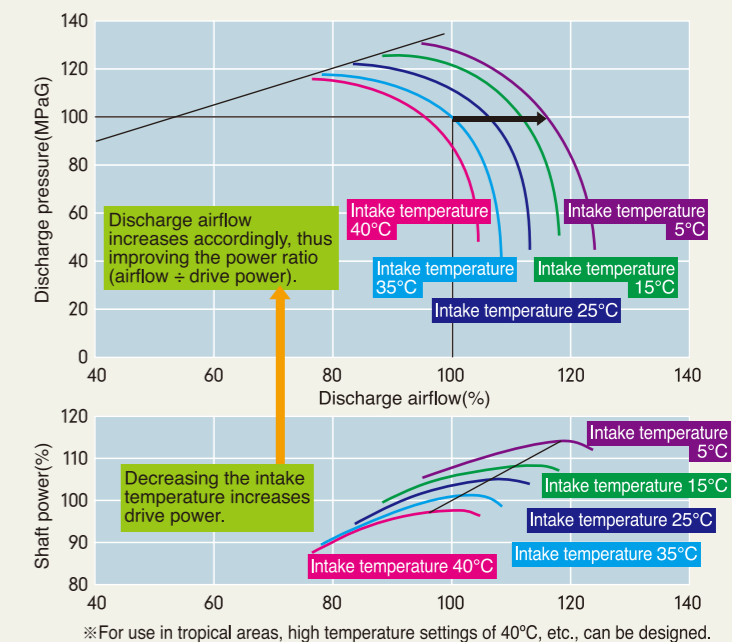
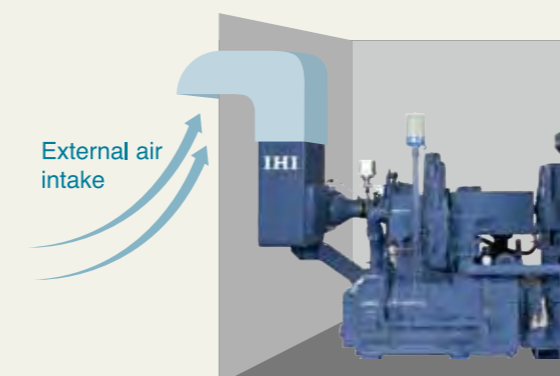
Difference between IGV and butterfly valve drive power (example)



Intake temperature selection

IHI turbo compressors are designed to operate under the severe/tough summer conditions of ambient temperature 35°C and relative humidity 80%. Lowering the temperature and humidity will improve the drive power ratio accordingly. Therefore, energy saving effect is also obtained by using an "external air intake", sucking in cool air from outside.

※The motor overload prevention function prevents air intake if the airflow exceeds the motor's maximum capacity.



※For use in tropical areas, high temperature settings of 40°C, etc., can be designed.

IHI Turbo Compressor Line-up

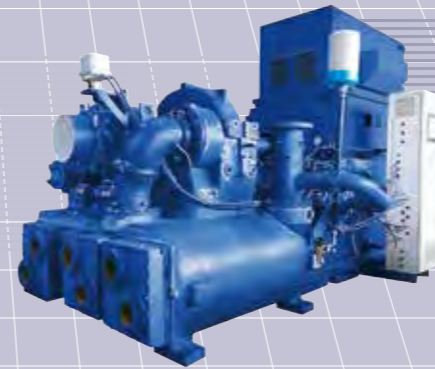


Tx-M Compression stages: 2 stages (Discharge Pressure: 0.69MPaG)

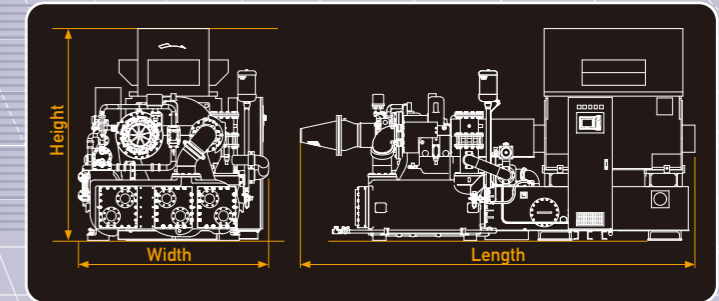
Model	Motor (kW)	Flow Rate (m ³ /h)	Dimensions (mm)			Weight (kg)
			Length	Width	Height	
Tx-M	75	785	2,200	1,300	1,400	2,200
	100	1,080	2,300	1,300	1,500	2,300

T3 Compression stages: 3 stages (Discharge Pressure: 0.69MPaG)

Model	Motor (kW)	Flow Rate (m ³ /h)	Dimensions (mm)			Weight (kg)
			Length	Width	Height	
T3A 70	750	8,200	4,600	2,250	2,000	10,000
T3A 130	1,320	13,800	5,700	2,500	3,000	16,000



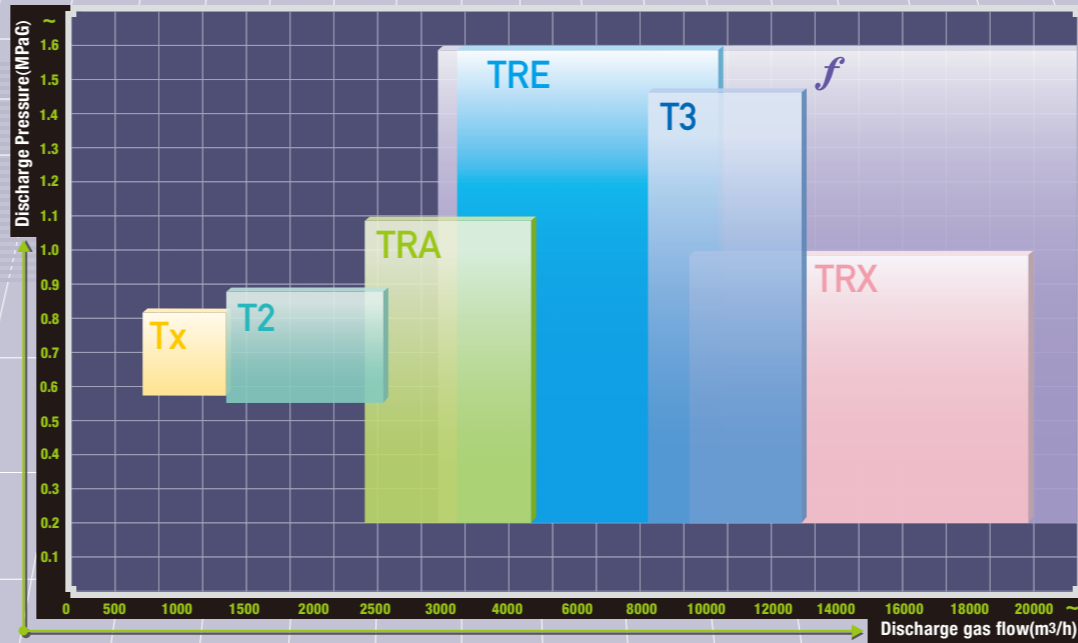
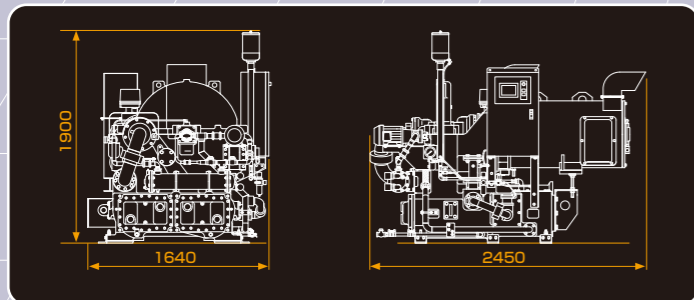
T3 Schematic



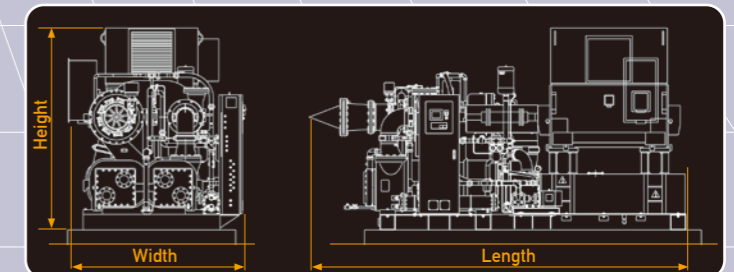
T2 Compression stages: 2 stages (Discharge Pressure: 0.69MPaG)

Model	Motor (kW)	Flow Rate (m ³ /h)	Dimensions (mm)			Weight (kg)
			Length	Width	Height	
T2A	125	1,394	2,450	1,640	1,900	4,500
	230	2,648				

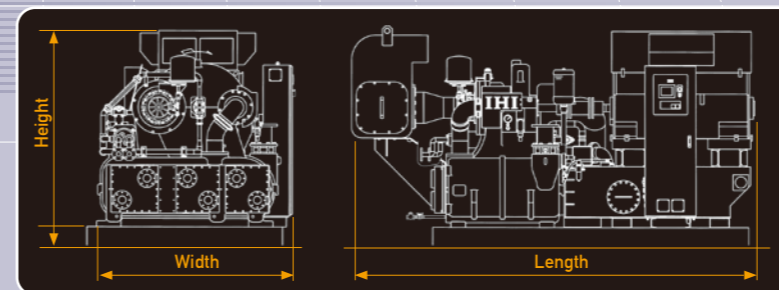
T2 Schematic



TRX Schematic



TRE Schematic

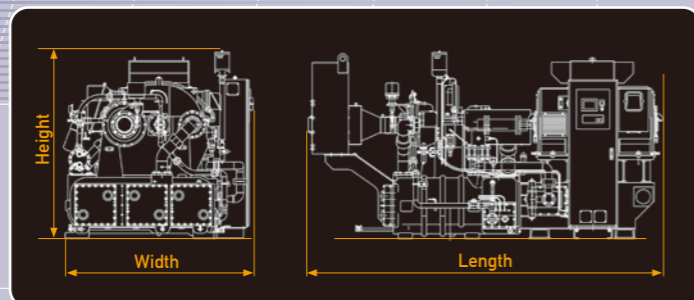


TRA Compression stages: 3 stages (Discharge Pressure: 0.69MPaG)

Model	Motor (kW)	Flow Rate (m ³ /h)	Dimensions (mm)			Weight (kg)
			Length	Width	Height	
TRA 20	250	2,470	3,700	2,000	2,000	7,100
TRA 40	450	4,940	4,000	2,000	2,200	8,500



TRA Schematic



TRE Compression stages: 3 stages (Discharge Pressure: 0.69MPaG)

Model	Motor (kW)	Flow Rate (m ³ /h)	Dimensions (mm)			Weight (kg)
			Length	Width	Height	
TRE 30	375	3,600	4,100	1,950	2,000	8,300
TRE 90E	950	10,550	5,200	2,300	2,800	13,500

TRX Compression stages: 3 stages (Discharge Pressure: 0.69MPaG)

Model	Motor (kW)	Flow Rate (m ³ /h)	Dimensions (mm)			Weight (kg)
			Length	Width	Height	
TRX 90	900	9,500	4,800	2,100	2,150	13,500
TRX 180	1,800	20,000	6,000	2,300	3,300	20,000

NOTES

- The above tables display flow rate ranges at typical discharge pressures.
- Flow rate (m³/h) is converted to compressor suction conditions as indicated below.
- Reference conditions:
 - Atmospheric pressure: 0.1013MPa(abs.)
 - Suction pressure: 0.0993MPa(abs.)
 - Suction temperature: 35°C
 - Relative humidity: 80%
 - Cooling water inlet temperature: 32°C
- Flow rate is measured at inlet point.

f series Compression stages: 3 stages (Discharge Pressure: 0.69MPaG)

Model	Motor (kW)	Flow Rate (m ³ /h)	Dimensions (mm)			Weight (kg)
			Length	Width	Height	
f 25	350	3,000	6,100	2,300	2,800	10,000
f 36	1,700	18,500	9,100	3,100	3,700	26,500

※ The f series can handle even larger capacity types.





Starting out as a shipbuilding company in 1853, IHI has contributed to industrial development as one of Japanese leading companies. Today, IHI is developing its business in a number of fields, including resources, energy, Rotating machinery, aero engine, space, etc., and is putting its technological strength to use in a wide range of industrial fields.

Also, as a global company with a vast network of over 100 overseas affiliate companies, we deliver our products to customers in countries and regions throughout the world.

Utilizing our superior technical strength and extensive network, IHI will continue to contribute to industrial development and improved customer value, working as an essential partner to our customers.

■ Company Profile

● Founded	1853
● Capital	¥107,165 million
● Employees (consolidated)	29,494 (as of March 31, 2016)
● Works	8
● Branches in Japan	8
● Overseas representative offices	14
● Affiliated companies in Japan	73 (as of March 31, 2016)
● Subsidiary companies	52
● Associated companies	21
● Overseas affiliated companies	158 (as of March 31, 2016)
● Subsidiary companies	125
● Associated companies	33
● Consolidated net sales	¥1,539,388 million (Year ended March 31, 2016)

■ Changes in sales volume

	million yen
March, 2016	1,539,388
March, 2015	1,455,844
March, 2014	1,304,038
March, 2013	1,256,049
March, 2012	1,221,869
March, 2011	1,187,292
March, 2010	1,242,700

When making inquiries, please provide the following data:

1. Capacity
2. Discharge conditions: pressure and temperature
3. Suction conditions: ambient pressure, temperature and humidity
4. Coolant conditions: water quality and temperature
5. Power supply data: frequency and voltage
6. Usage and other operational information
7. On-site environmental conditions (outdoor or indoor)
8. Other requirements

Note: To obtain the most suitable compressor for your needs, please provide the most detailed information possible.

■ IHI Head Office (Japan)

TOKYO : 7-12, Shinonome 1-chome, Koto-ku, Tokyo 135-0062 Japan Tel : +81-3-6219-5071 Fax : +81-3-6219-5075

■ IHI Global Network

» Americas

NEW YORK : IHI INC.

150 East 52nd Street, 24th Floor, New York, NY 10022 U.S.A.

TEL : +1-212-599-8100 FAX : +1-212-599-8111

SÃO PAULO : IHI do Brasil Representações Ltda.

Avenida Paulista, 726 Sala 901- Bela Vista CEP 01.310-910, São Paulo.-SP, BRASIL

TEL : +55-11-3251-2593

» Asia-Pacific

SEOUL : IHI Seoul Representative Office

23F, Seoul Finance Center B/D 136 Sejongdae-ro, Chung-Ku, Seoul, 100-768, KOREA

TEL : +82-2-753-8605 FAX : +82-2-755-4772

BEIJING : IHI Beijing Representative Office

Room 8008, ChangFuGong Office Building, 26 Jianguomen Wai Avenue, Beijing, CHINA

TEL : +86-10-6527-2700 FAX : +86-10-6527-3100

SHANGHAI : IHI (Shanghai) Management Co., Ltd.

Room021, 24th Floor, Hang Seng Bank Tower,1000, Lujiazui Ring Road, Pudong New Area, Shanghai, 200120 CHINA

TEL : +86-21-6841-1717 FAX : +86-21-6841-1919

HONG KONG : IHI (HK) Ltd.

Room 2203, 22/F, Causeway Bay Plaza 2, 463-483 Lockhart Road, Causeway Bay, Hong Kong, CHINA

TEL : +852-2522-4093 FAX : +852-2845-2497

TAIPEI : IHI Taiwan Corporation

Room 1202, Chia Hsin Building, No. 96 Section 2, Chung Shan North Road, Taipei, TAIWAN

TEL : +886-2-2542-5520 FAX : +886-2-2542-4362

HANOI : IHI Hanoi Representative Office

Unit 515, Sun Red River, 23 Phan Chu Trinh Street, Hoan Kiem District, Hanoi, VIETNAM

TEL : +84-4-3934-5305 FAX : +84-4-3934-5303

BANGKOK : IHI ASIA PACIFIC (Thailand) CO.,LTD.

11th Floor, Ramaland Building, 952 Rama IV Road, Suriyawongse, Bangkok, Bangkok 10500, THAILAND

TEL : +66-2-236-3490 FAX : +66-2-236-7340

YANGON : IHI ASIA PACIFIC (Thailand) CO.,LTD. Yangon Branch

Unit 309, 3rd Floor, Prime Hill Business Square, No.60, Shwe Dagon Pagoda Road, Dagon Township, Yangon, MYANMAR

TEL : +95-1-395526

KUALA LUMPUR : IHI Kuala Lumpur Representative Office

19th Floor, UBN Tower, 10 Jalan P.Ramlee, 50250 Kuala Lumpur, MALAYSIA

TEL : +60-3-2072-1255 FAX : +60-3-2072-1418

SINGAPORE : IHI ASIA PACIFIC PTE.LTD.

77 Robinson Road #14-03 Robinson 77, 068896, SINGAPORE

TEL : +65-6515-6609 FAX : +65-6438-8006

JAKARTA : IHI Jakarta Representative Office

Mid Plaza II, 17th Floor, Jl. Jendral Sudirman Kav. 10-11 Jakarta 10220, INDONESIA

TEL : +62-21-570-7701 FAX : +62-21-570-7705

SYDNEY : IHI Engineering Australia Pty. Ltd.

Suite 2201, Level 22, 111 Pacific Highway, North Sydney, NSW 2060, AUSTRALIA

TEL : +61-2-9923-9300 FAX : +61-2-9923-9333

NEW DELHI : IHI New Delhi Representative Office

302A, Salcon Ras Vilas, District Centre Saket, New Delhi-110017, INDIA

TEL : +91-11-4105-2694 FAX : +91-11-4166-3503

MUMBAI : IHI ASIA PACIFIC PTE. LTD. Mumbai Liaison Office

A-404, Delphi, Hiranandani Business Park, Hiranandani Gardens, Powai, Mumbai, 400076 INDIA

TEL : + 91-22-2570-6250

» Europe

LONDON : IHI Europe Ltd.

2nd Floor, America House, 2 America Square, London EC3N 2LU, U.K.

TEL : +44-20-7481-8180 FAX : +44-20-7481-4955

PARIS : IHI Paris Representative Office

17, Rue d'Orleans, 92200 Neuilly sur Seine, FRANCE

TEL : +33-1-4643-1493 FAX : +33-1-4637-7869

MOSCOW : IHI Moscow Representative Office

Office E02-312, 2nd floor, 8, 4th Dobrynskiy Pereulok, Moscow 119049, RUSSIA

TEL : +7-495-989-6001 FAX : +7-495-989-6005

ISTANBUL : IHI Istanbul Representative Office

Esentepe Mahallesi, Harman Sokak, Harmanci Giz Plaza No:5 Kat:18 D:35 34394 Levent-Sisli-Istanbul, TURKEY

TEL : +90-850-252-2122 FAX : +90-212-282-8370

» Middle East and Africa

ALGIERS : IHI Alger Representative Office

Boulevard du 11 Decembre 1960, Lot No.12 Cooperative Essalam,

Appartement No.02, El Biar, Alger, ALGERIE

TEL : +213-21-924399 FAX : +213-21-921436

DUBAI : IHI Middle East Office

Burj Daman Building, Level 6, Office C609, DIFC, P.O.Box 506940, Dubai, UAE

TEL : +971-4-458-3864 FAX : +971-4-458-4096